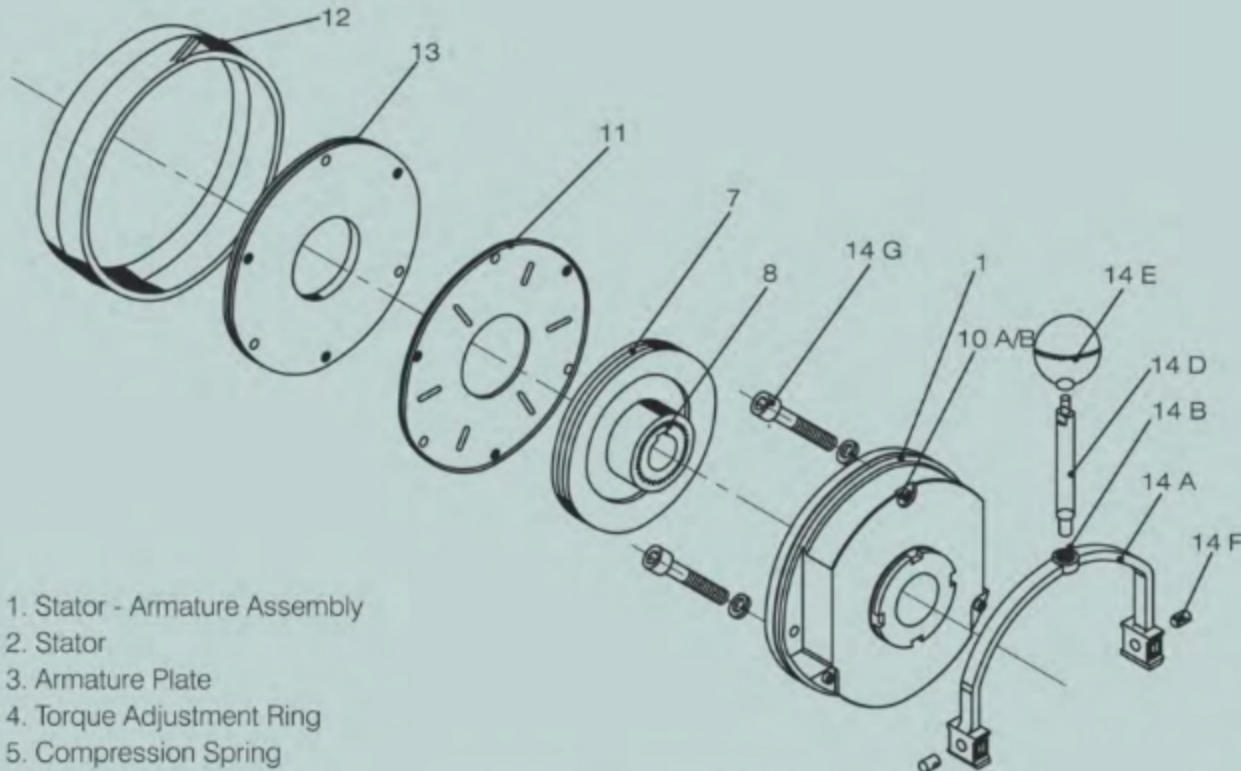


Components

exploded view



1. Stator - Armature Assembly

2. Stator

3. Armature Plate

4. Torque Adjustment Ring

5. Compression Spring

6. Compression Parts

7. Rotor

8. Hub

9. Adjustment Tube

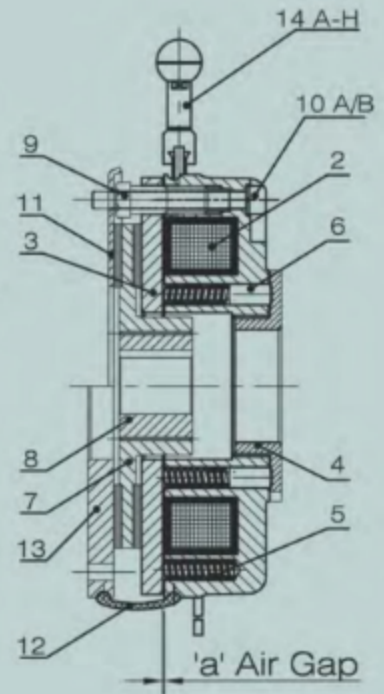
10. A/B, Mounting Bolt & Washer

11. Friction Plate (Optional) †

12. Rubber Seal

13. Mounting Flange

14. A-G Hand Release Assembly



'a' Air Gap